

SAVOY

SWISS MADE

ADJUSTING STRAPS & METAL BRACELETS
&
CHANGING THE STRAP'S INSERTS

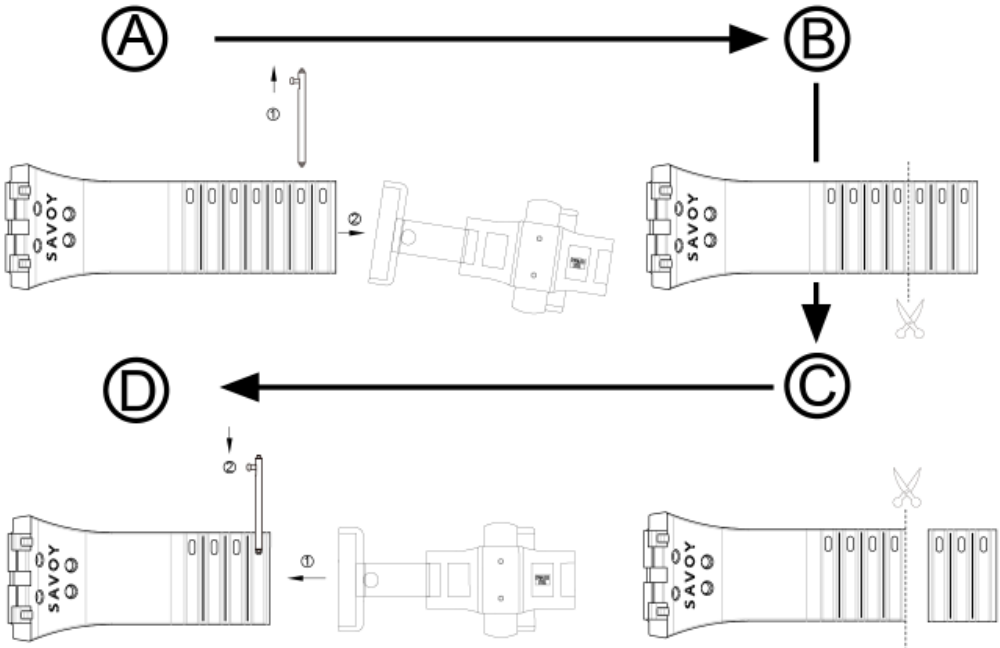
STRAP & METAL BRACELETS

SAVOY manufacture leather (2014), rubber and steel bracelets but if worn intensively, or exposed to friction, perspiration and water -especially salt water- a steel bracelet or a rubber strap is recommended. Rubber straps and metal bracelets should be cleaned frequently with mild soap and warm water using a soft cloth. Solvents, oils, perfume, perspiration, tanning lotion and salt can cause rubber to deteriorate or staining if not removed.

SAVOY uses a mixture of high rated rubber and silicone to ensure maximum flexibility, softness on the skin and color durability. The track design on the back of the rubber straps is meant for ventilation and therefore comfort.

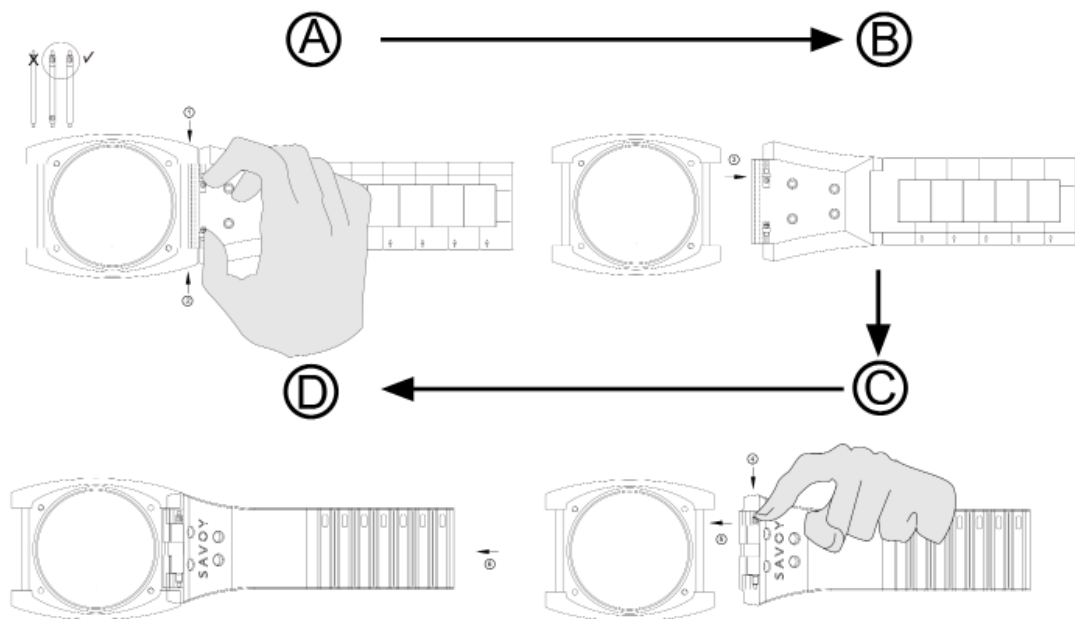
The bracelets are made from the same steel as the watch case 316L and they are plated with the same formula as the watches.

ADJUSTING THE LENGTH ON METAL BRACELETS & RUBBER STRAPS (Icon Midway 41mm)

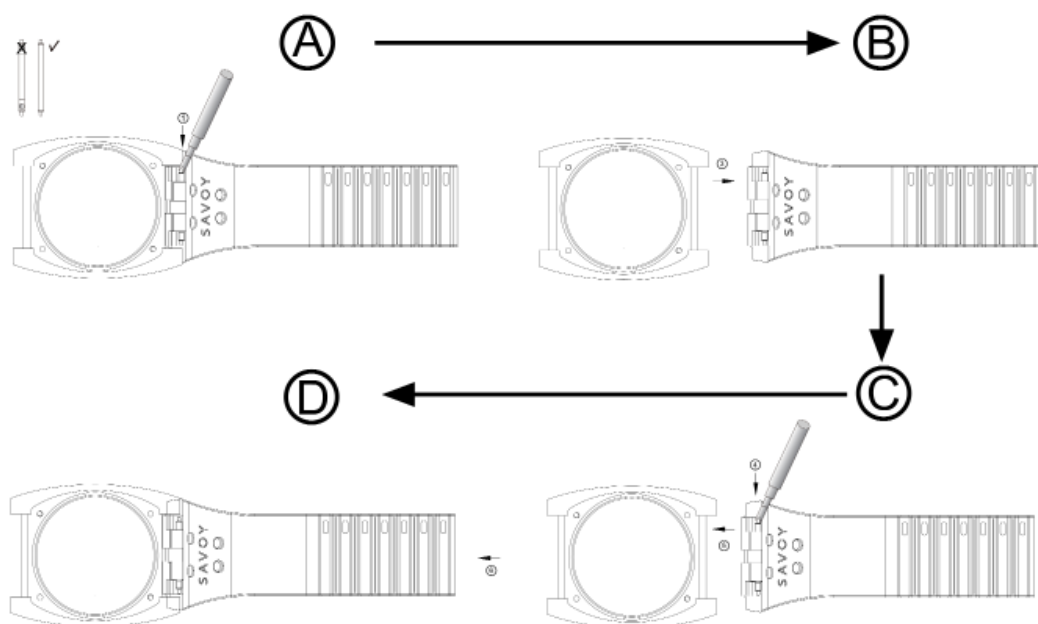


STRAP & METAL BRACELETS (CONTINUE)

REMOVE AND EXCHANGE THE STRAP OR BRACELET (PRESTO SYSTEM) Icon Midway & Extreme Limited Edition.



REMOVE AND EXCHANGE THE STRAP OR BRACELET (TOOL NEEDED) Icon Light & Extreme collections



INSERTS

The SAVOY patented branding feature is a perpetual statement of ingenuity. Each SAVOY watch strap or bracelet is equipped with an oversized metal insert that is embedded as a long single link. The rubber strap is uniquely molded to keep the natural constant curve of the wrist as well as allowing the fixation of the inserts with four uniquely designed screws. This offers wearers versatility and the ability to express personality. SAVOY uses genuine stamp leathers, and as a natural material water contact may lose its suppleness and color.

